

LADDER RACK [ADAPTER BRACKET]

Installation Guide

Please read all installation guide before using this product.



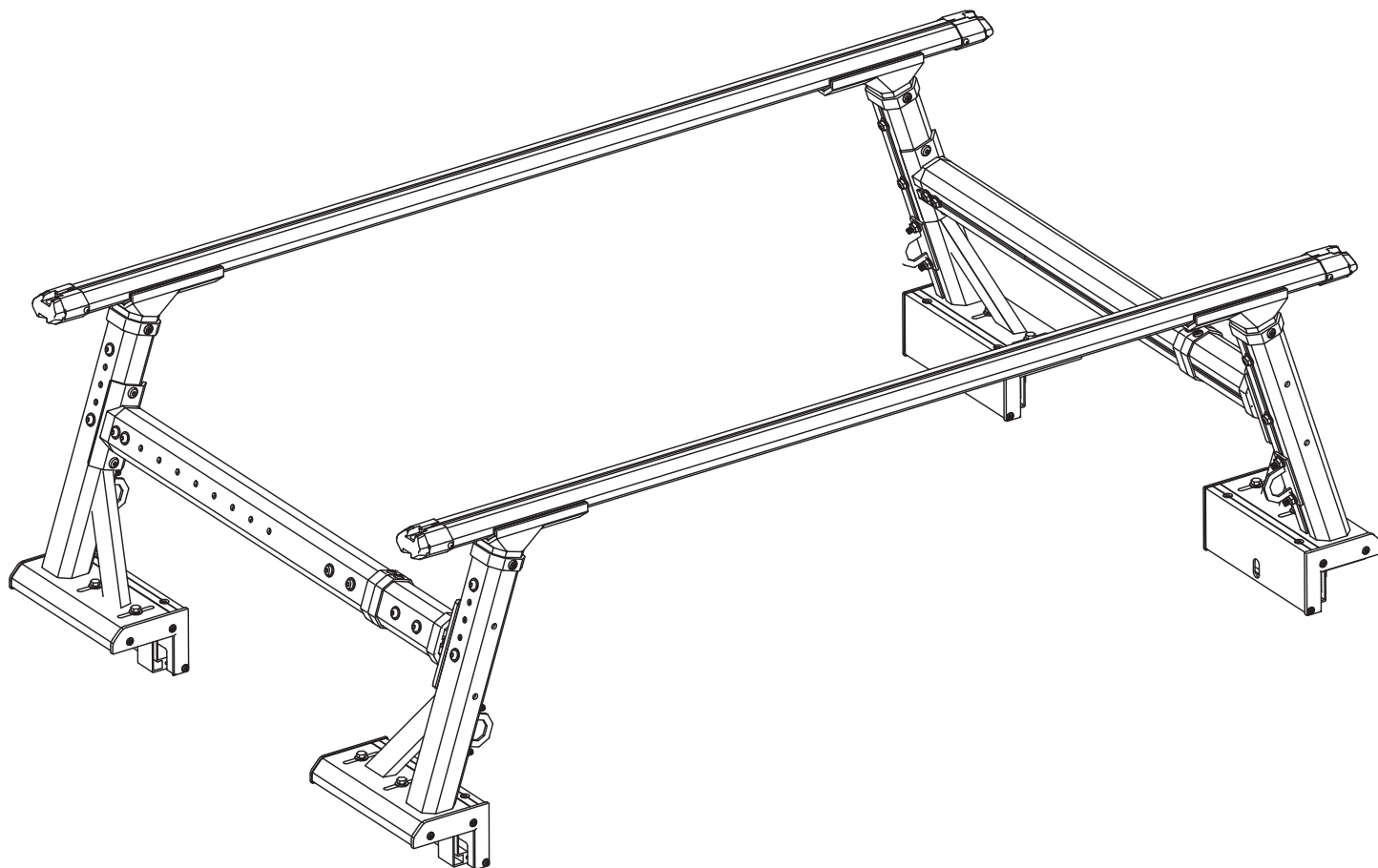
✉ jcwinauto@gmail.com
ebay@syneticusa.com

🌐 <https://jcwinauto.com/>
<http://syneticusa.com/>

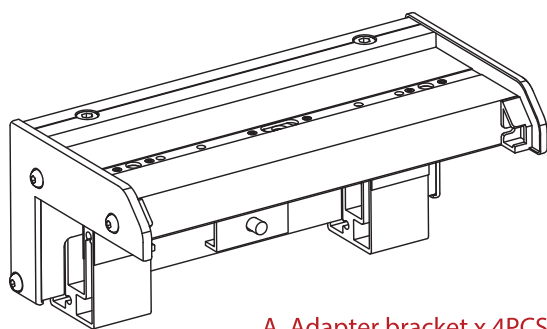
☎ 626-360-5034
Mon-Fri 9am-5pm (PT)



SYNETICUSA®



COMPONENTS



A. Adapter bracket x 4PCS



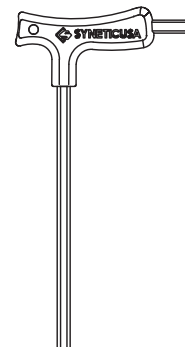
B. Hex bolt x 8PCS



C. Flat washer x 8PCS

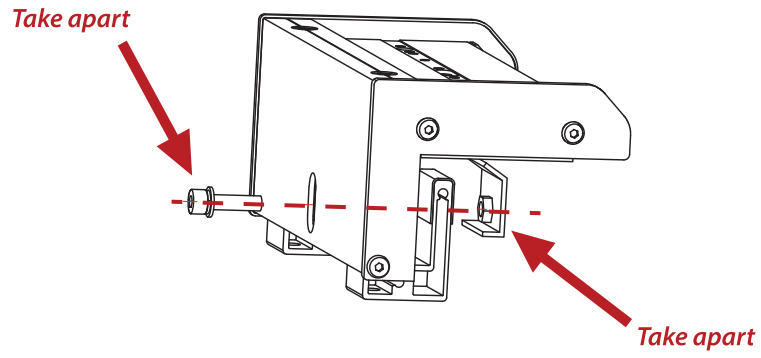


D. Spring washer x 8PCS



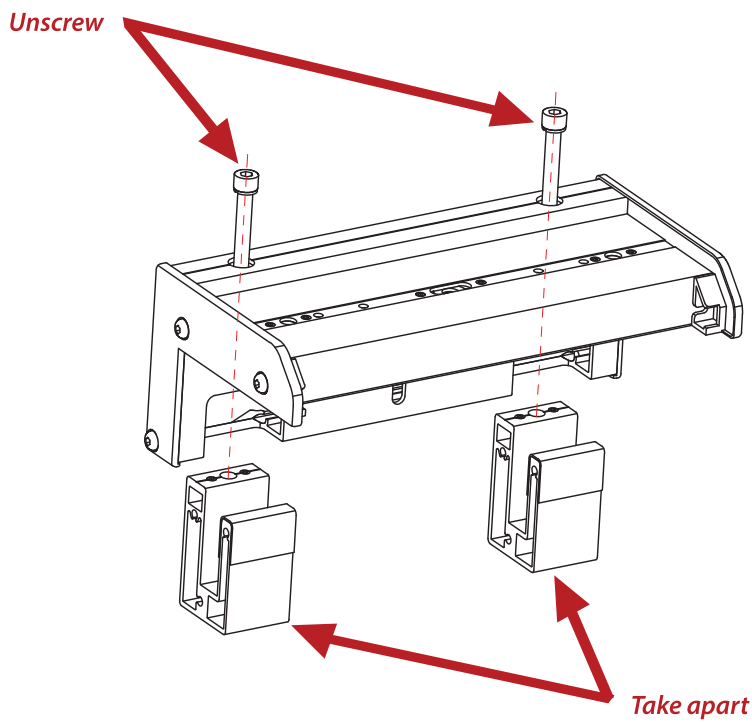
E. Wrench x 1PCS

1



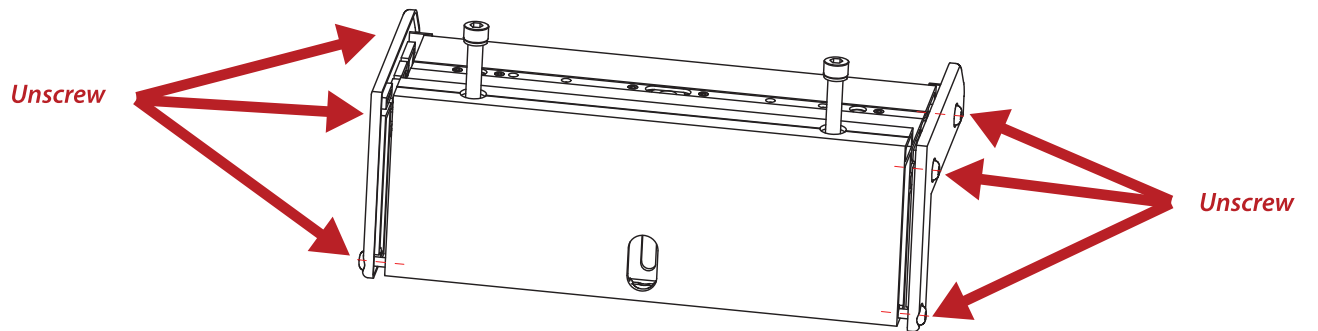
Disassemble the clip shown in component A

2



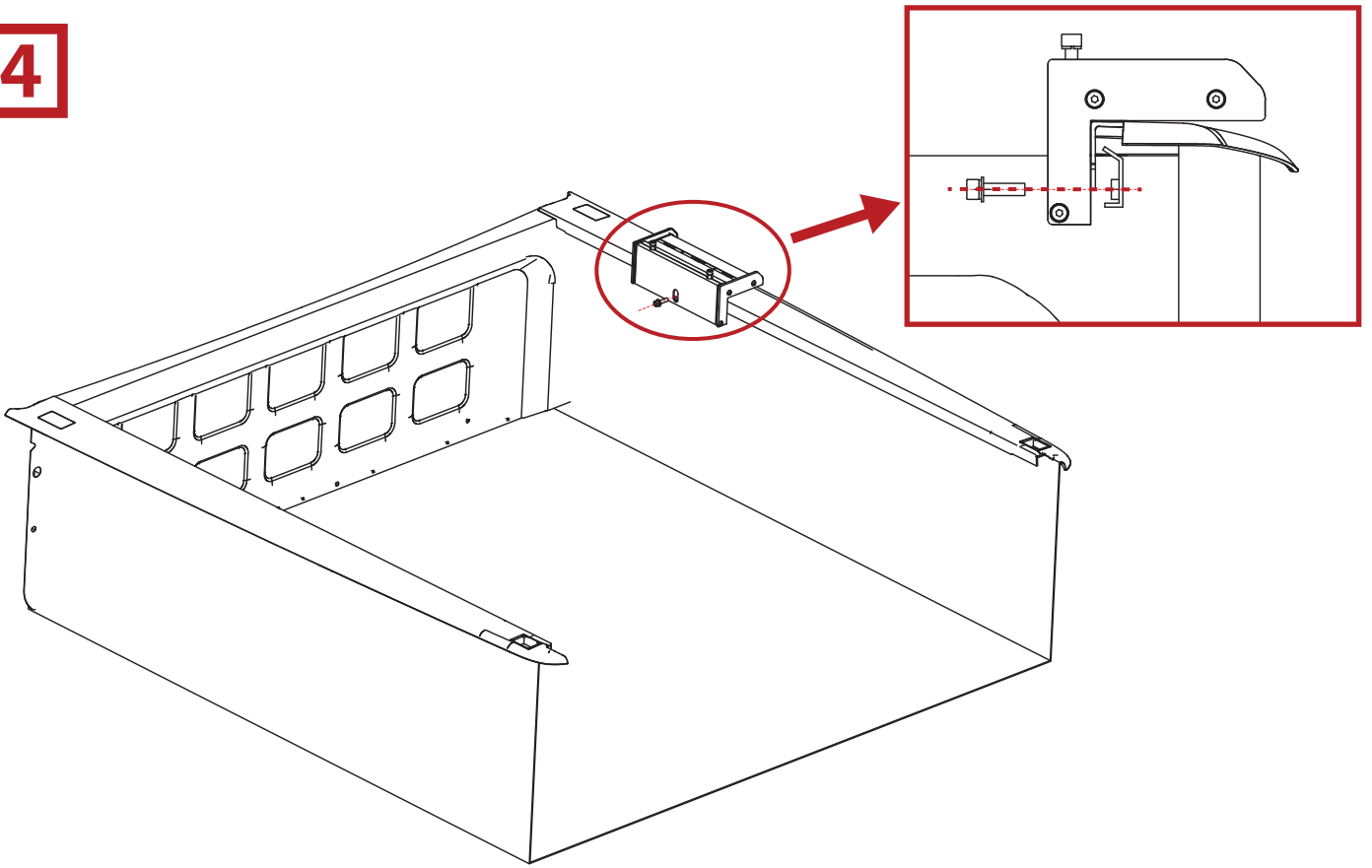
After loosening the screws, remove the clip shown

3



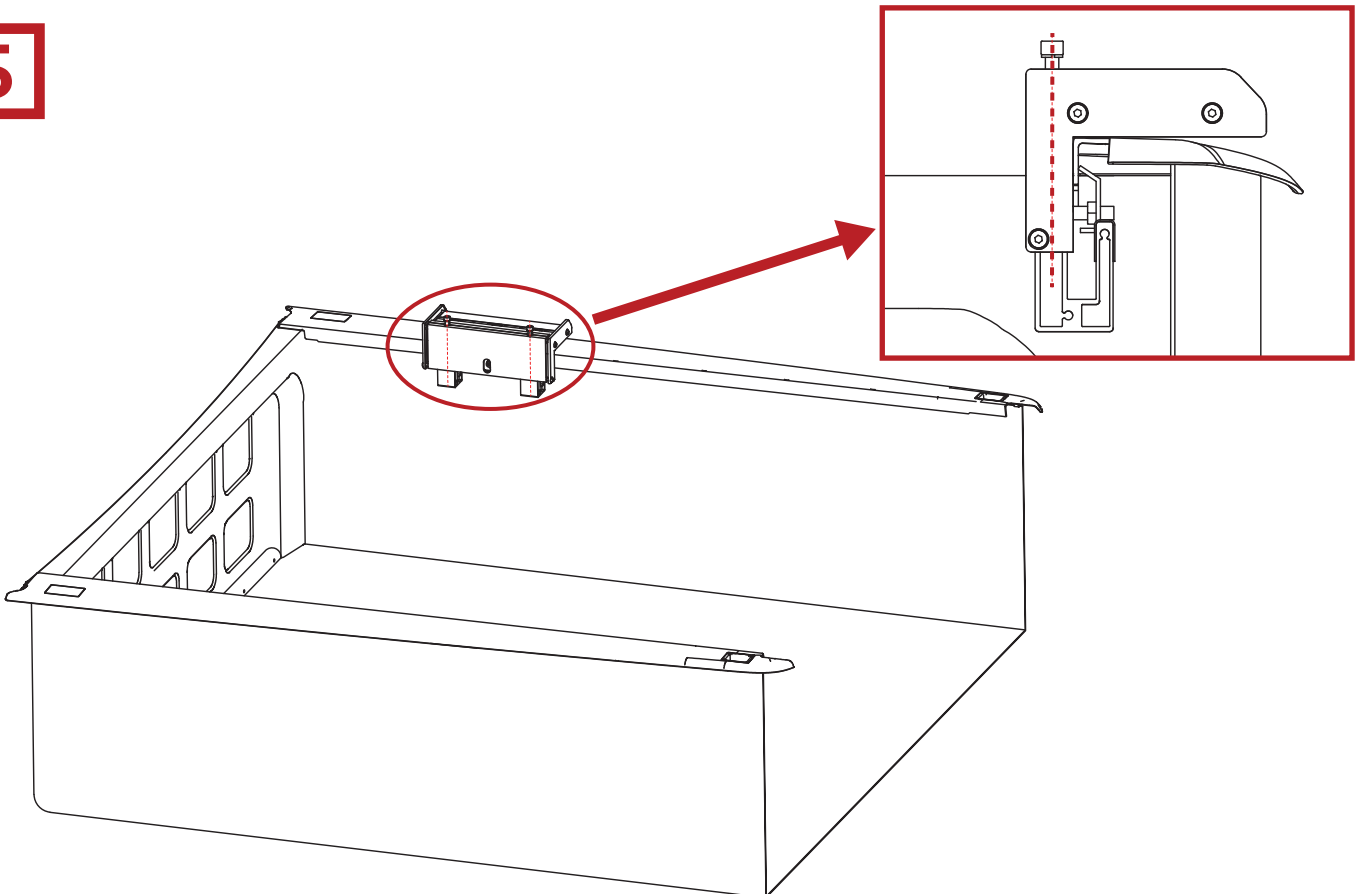
Loosen the two ends of component A

4



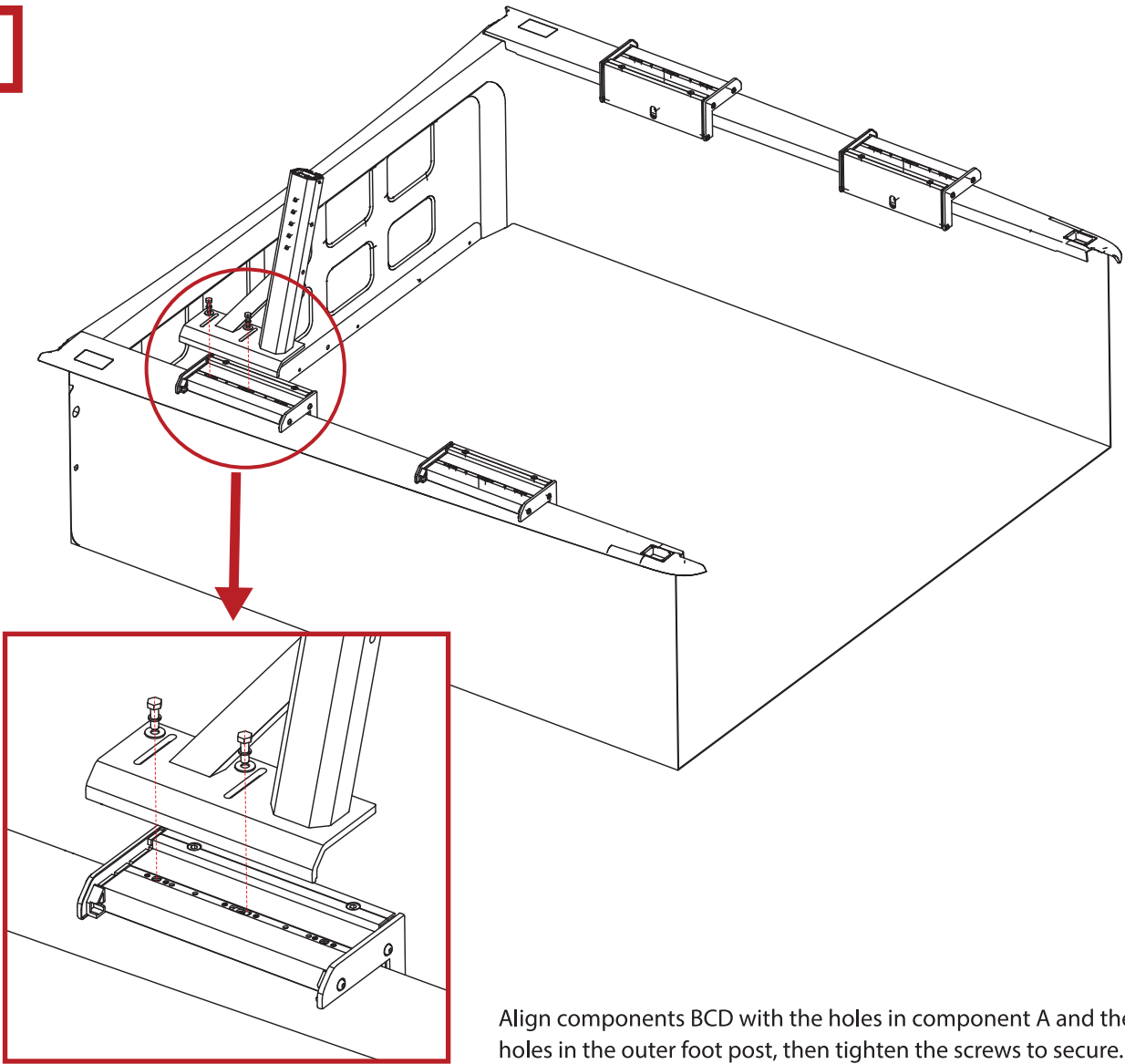
Component A is attached to the side of the car, and the screws of the clip (*in step 1*) are put back.

5



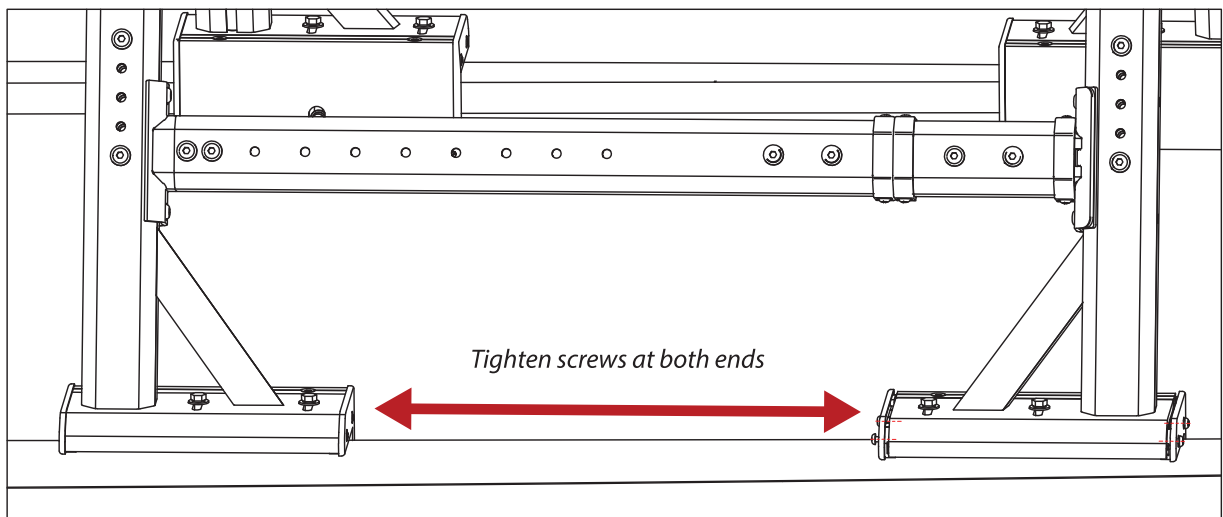
Put back the two clips (*in step 2*) of component A and tighten the screws.

6



Align components BCD with the holes in component A and the holes in the outer foot post, then tighten the screws to secure.

7



After installing the ladder rack, tighten the end screws on both ends of component A

Done!

