

UTILITY RACK

Installation Manual

Please read all installation guide before using this product.



✉ info@syneticusa.com
jcwinauto@gmail.com

🌐 <https://jcwinauto.com/>
<http://syneticusa.com/>

☎ 626-360-5034
626-463-8750
Mon-Fri 9am-5pm (PT)



COMPONENTS

Pack #1	No.	Part name	Size (mm)	Pieces	Picture
	1-1	Screw	M8*20	56	
	1-2	Spring washer	M8	56	
	1-3	Flat washer	M8 (24*8.5*1.5)	112	
	1-4	Nut	M8	56	
	1-5	L-wrench	5MM	1	

Pack #2	No.	Part name	Size (mm)	Pieces	Picture
	2-1	T-bolt	M8*25 (19*19*5)	8	
	2-2	Spring washer	M8	8	
	2-3	Flat washer	M8 (24*8.5*1.5)	8	
2-4	Nut	M8	8		

Pack #3	No.	Part name	Pieces	Picture
	3-1	Logo sticker	4	

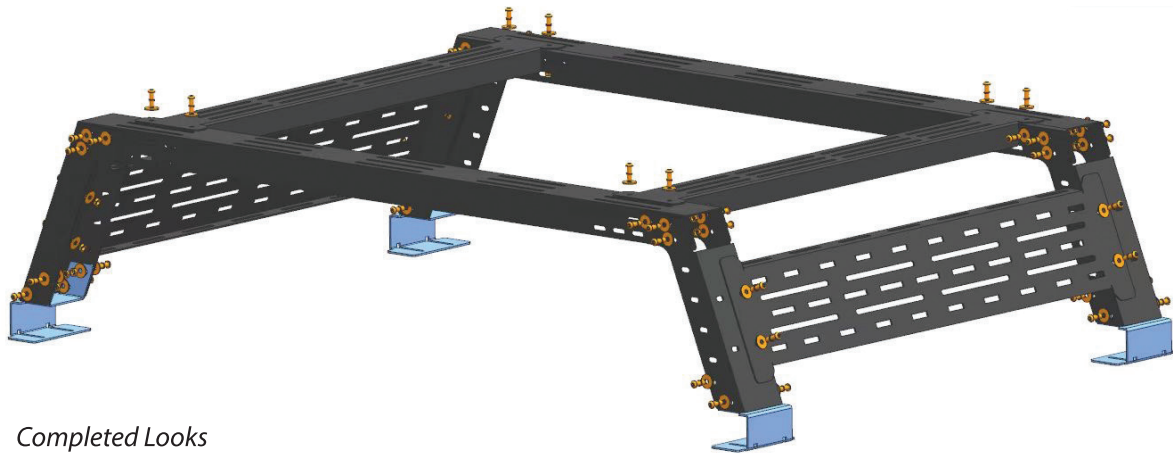
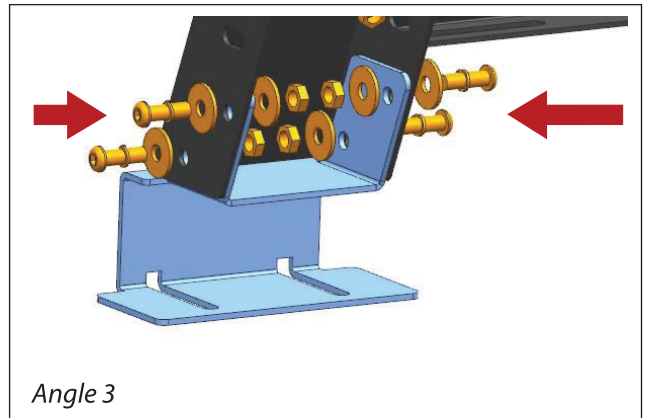
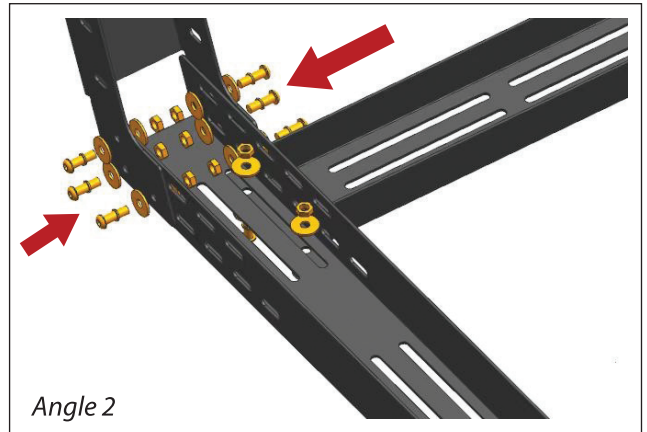
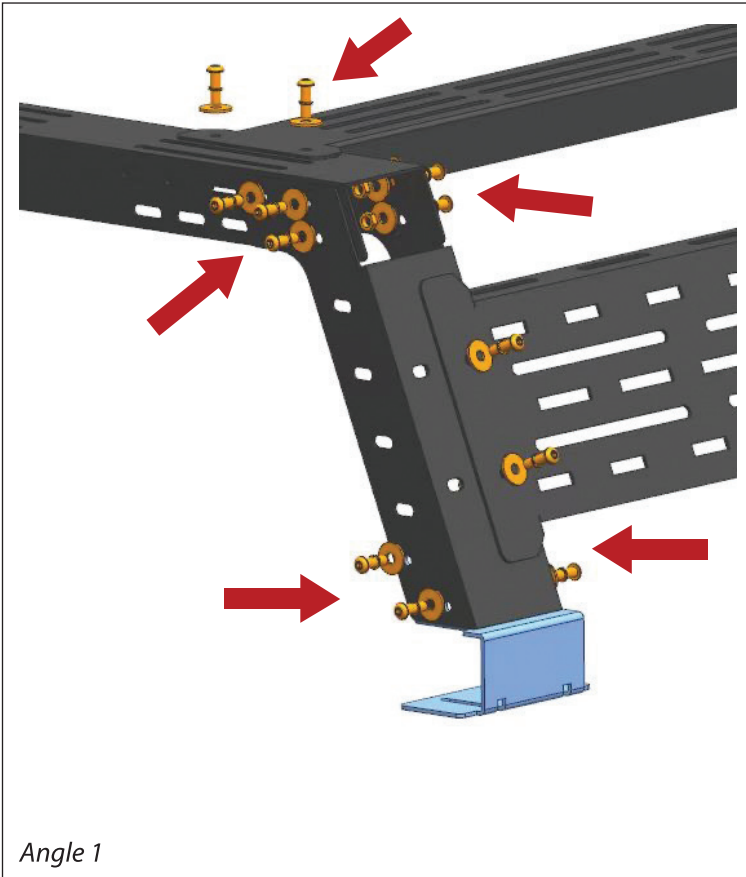
No.	Others	Pieces
A	 Side bar	4
B	 Base piece	4
C	 Cross bar	2
D	 Side panel	2
E	 Top bar	2

INSTALLATION STEPS

1

COMPLETE THE FRAME

*Only use hardware in Pack 1



2

LOAD ONTO THE COVER

*Only use hardware in Pack 2

Slide t-bolt into each of the rails, 4 pieces per rail, then tighten each with flat washer, spring washer and nut. Finished!

