

LADDER RACK (SIDE PANEL) Installation Guide

Please read all installation guide before using this product.



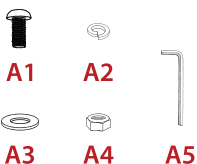
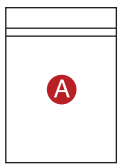
✉ jcwinauto@gmail.com
ebay@syneticusa.com

🌐 <https://jcwinauto.com/>
<http://syneticusa.com/>

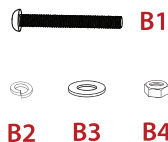
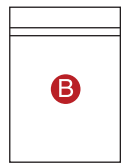
☎ 626-360-5034
Mon-Fri 9am-5pm (PT)



COMPONENTS



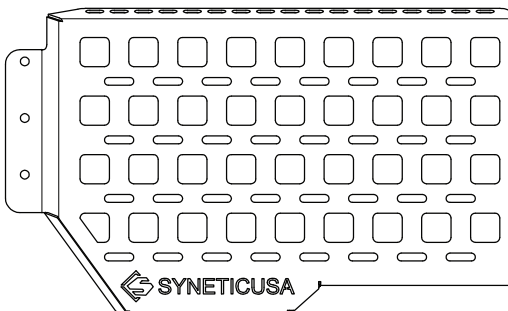
A1 screw x16
A2 spring washer x16
A3 flat washer x32
A4 nut x16
A5 wrench



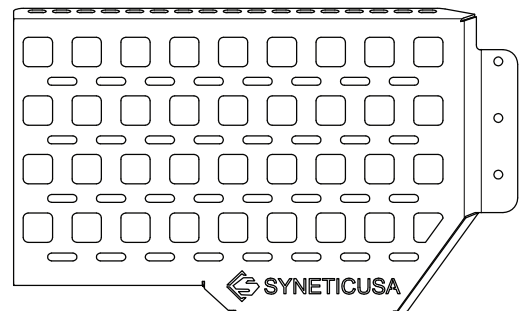
B1 screw x4
B2 spring washer x4
B3 flat washer x8
B4 nut x4



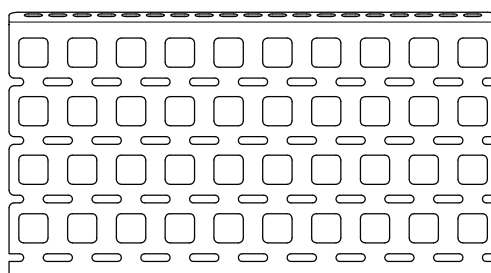
C1 flat-head screw x4
C2 spring washer x4
C3 flat washer x4
C4 nut x4



Panel LFT x2

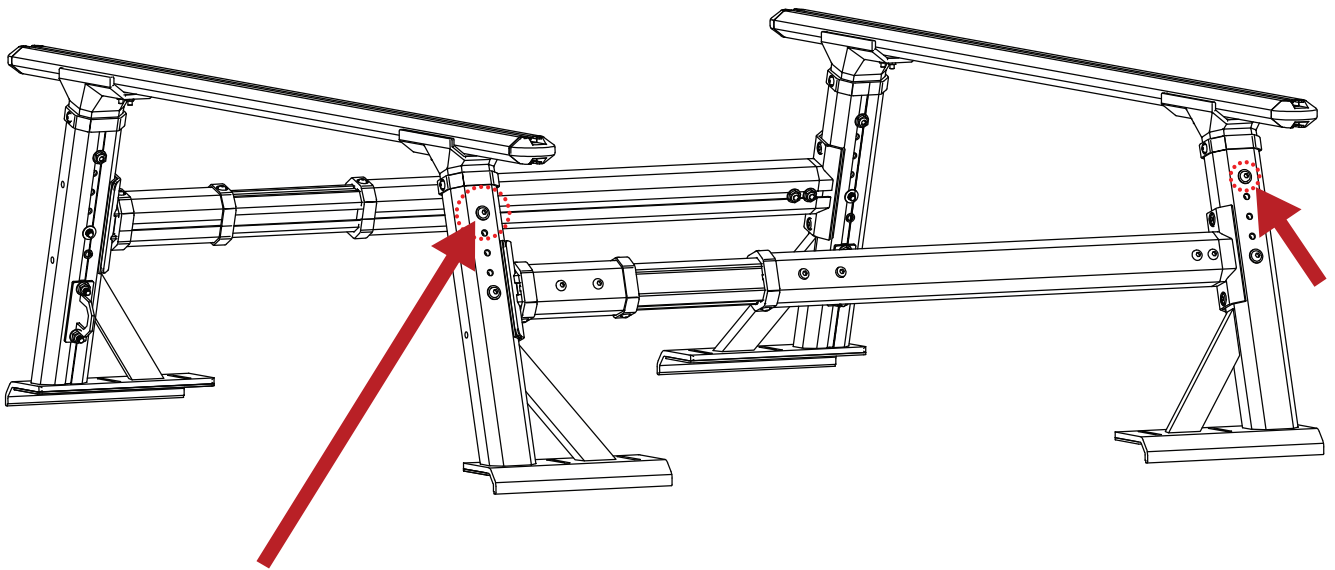


Panel RGT x2



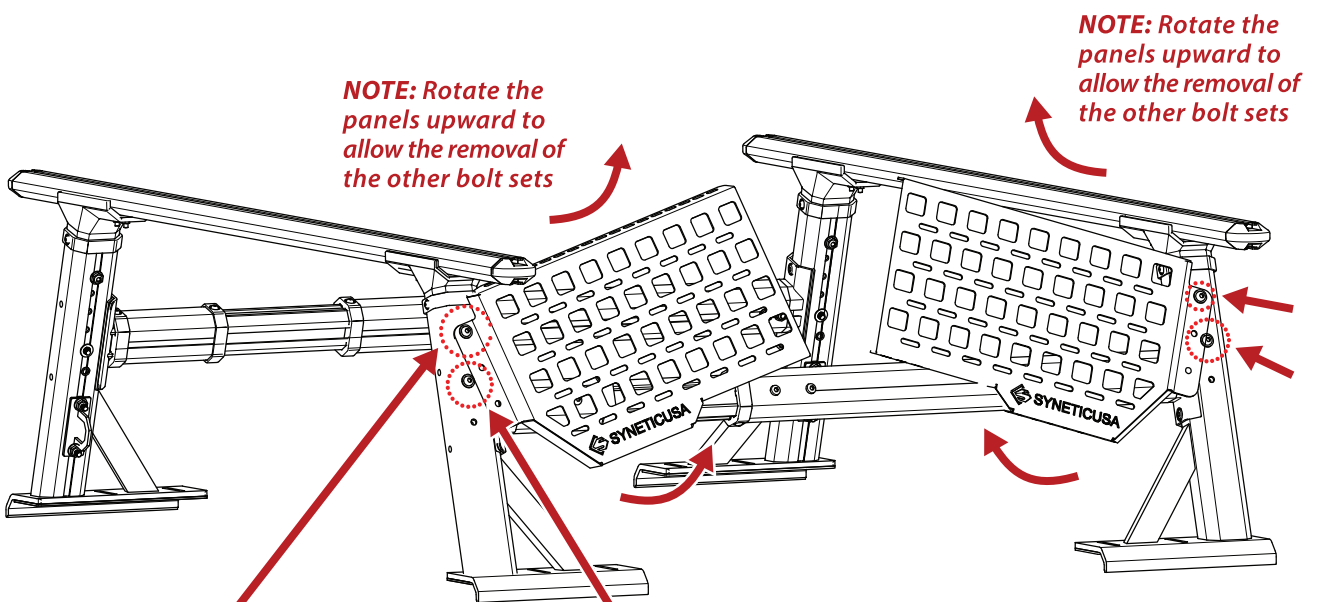
Panel MDL x2

1



Remove these existing bolts, washers and nuts

2



NOTE: Rotate the panels upward to allow the removal of the other bolt sets

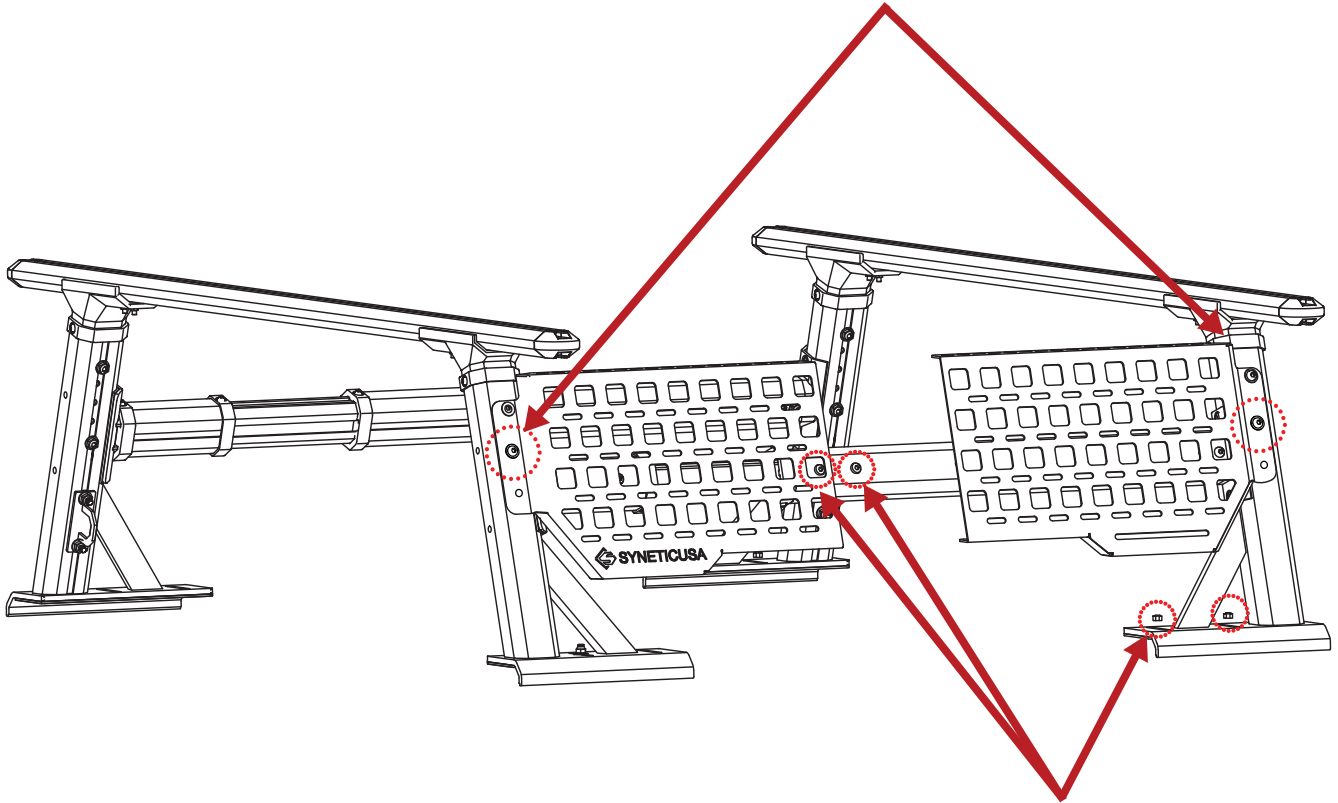
NOTE: Rotate the panels upward to allow the removal of the other bolt sets

i. Secure the shown position with the hardware that was removed

ii. Remove these existing bolts, washers and nuts

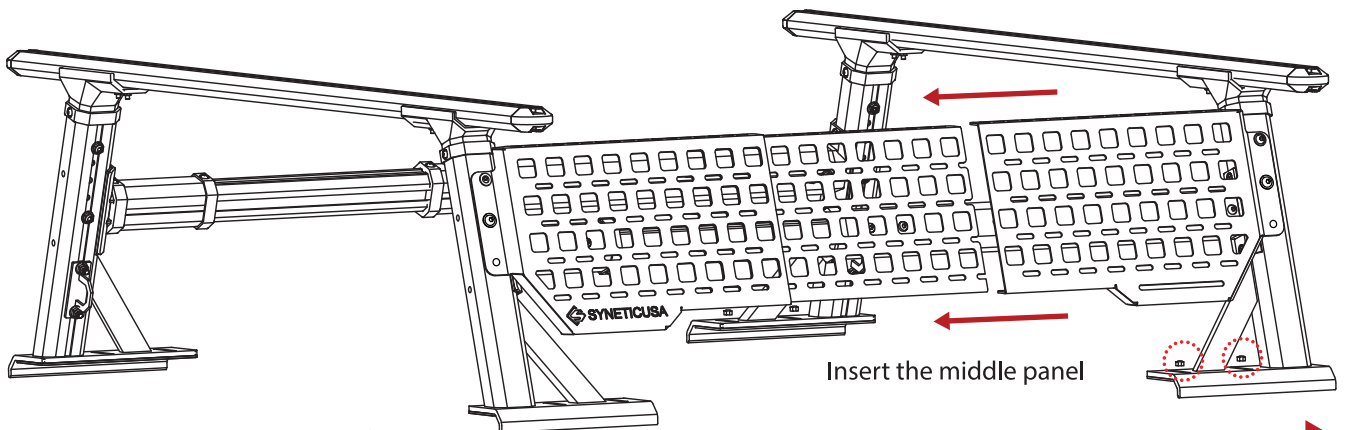
3

i. Secure the shown position with the hardware that was removed



ii. Loosen the screw sets (do NOT remove)

4

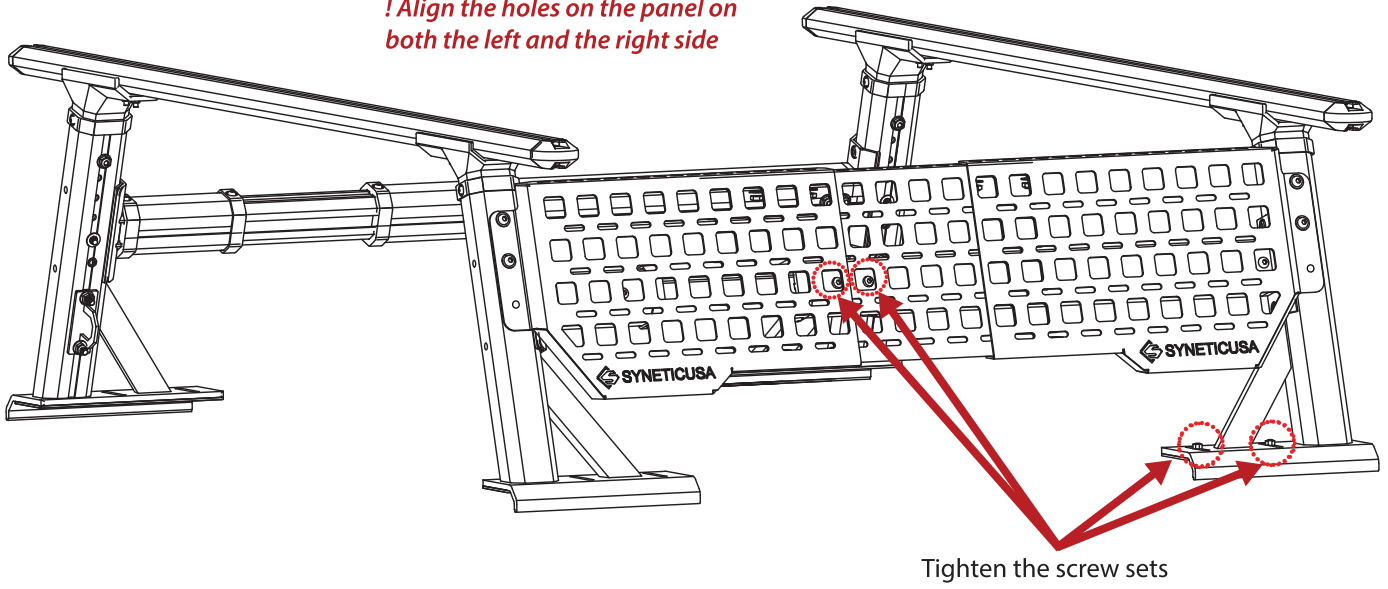


! Keep the base pieces at the front of the cab in their original position

! Move the base pieces at the rear of the cab in the direction of the arrow

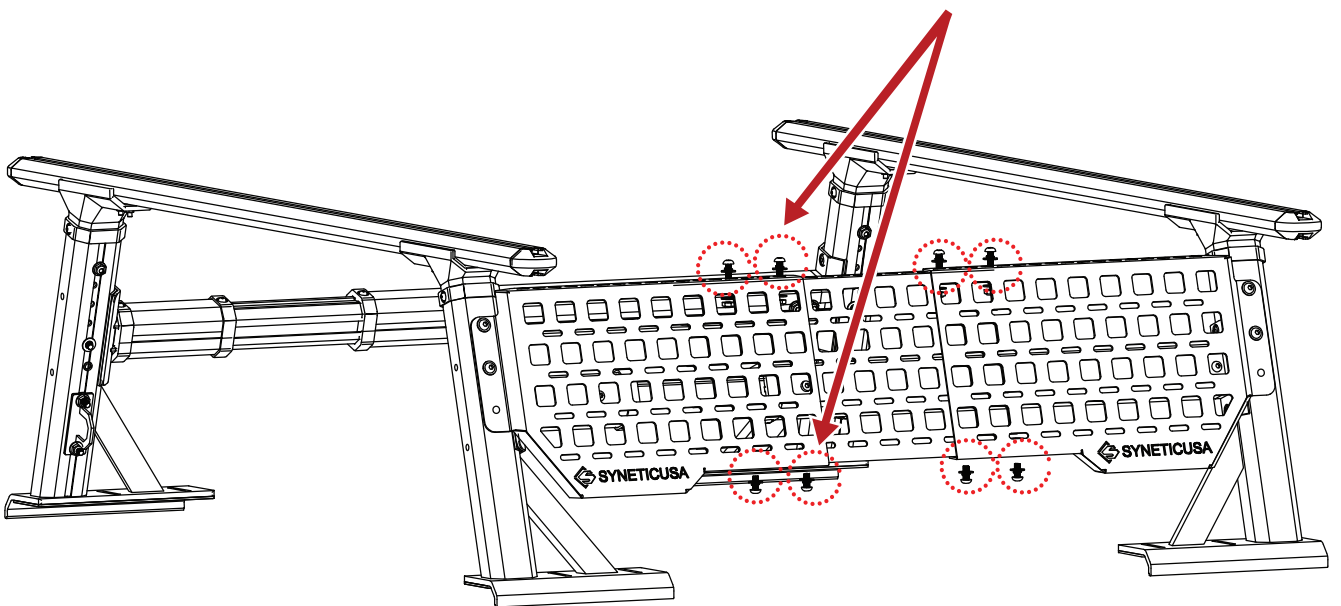
5

! Align the holes on the panel on both the left and the right side



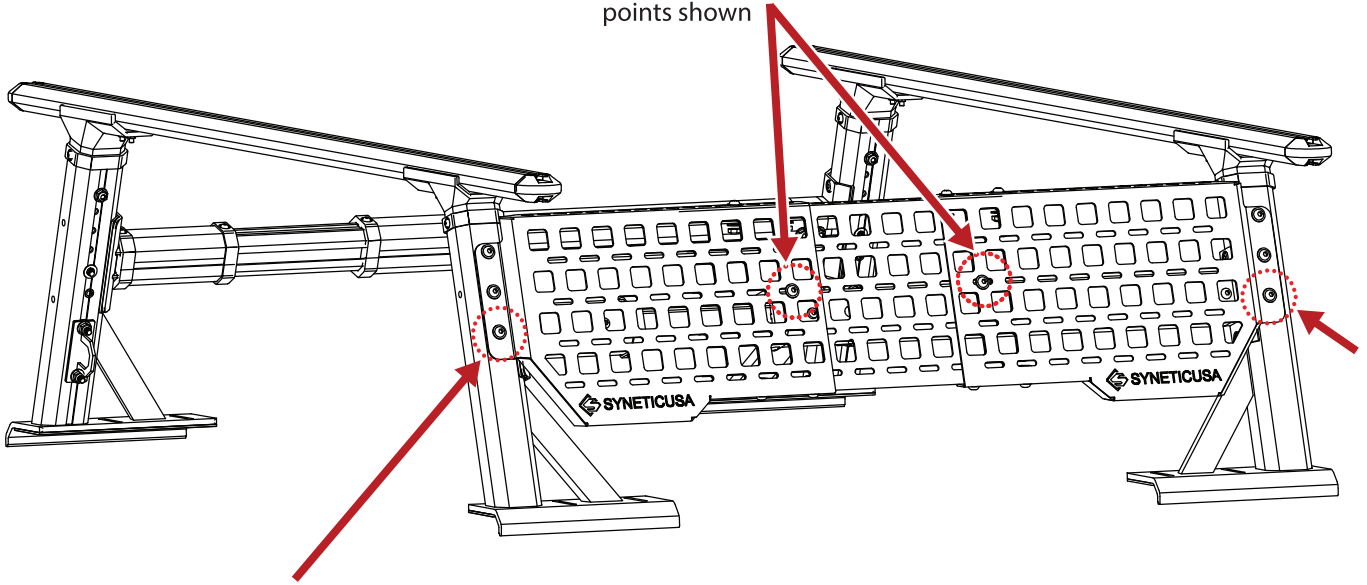
6

Use hardware from Pack A to connect the middle panel



7

i. Use hardware from Pack C to additionally secure the middle points shown



ii. Secure the shown position with hardware from Pack B

Optional: Secure the shown position with hardware from Pack B

(This step is only for the ladder rack at its lower positions, as shown in the photo)