

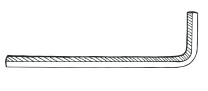



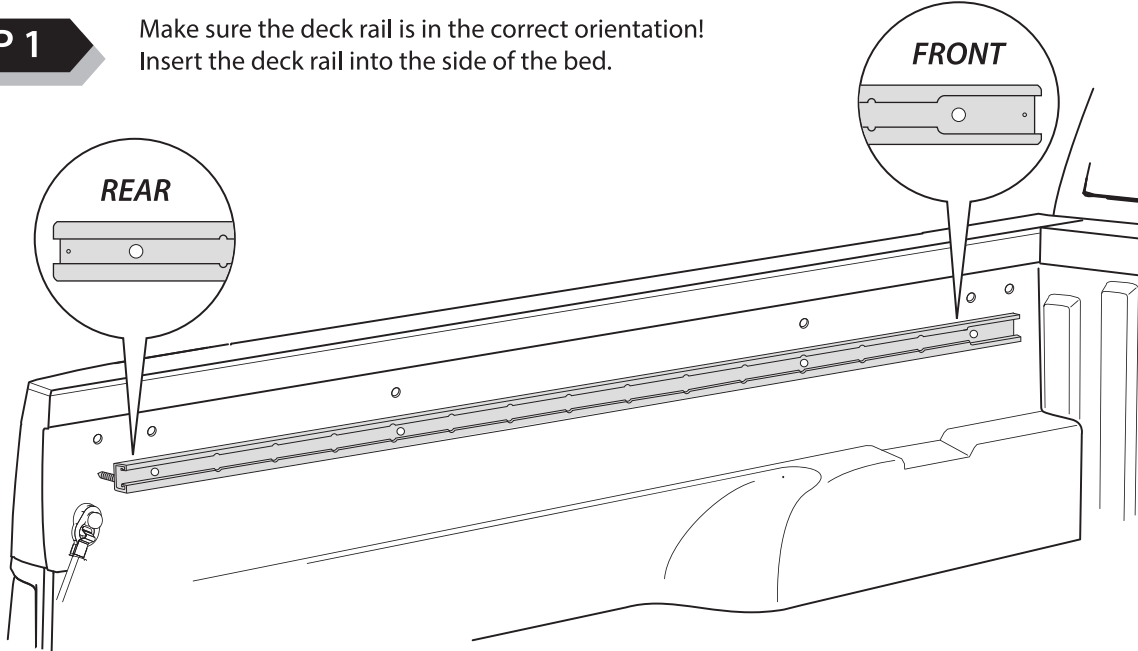
# JEEP GLADIATOR DECK RAIL MANUAL

\*This manual is only for Gladiator without existing deck rails\*

PART LIST		
 x8	 x8	 x1
 x2		

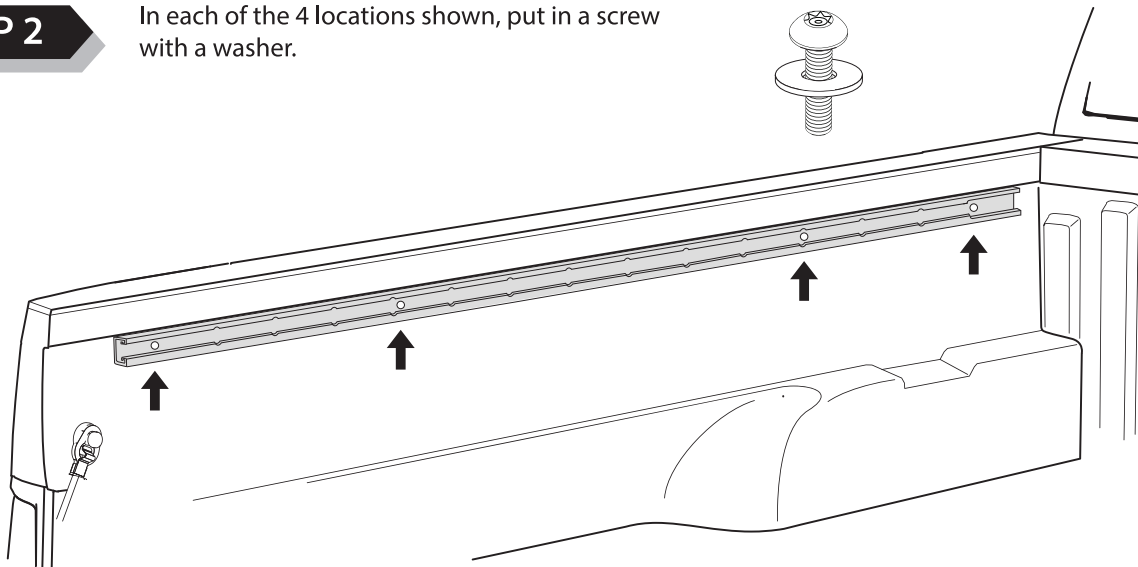
## STEP 1

Make sure the deck rail is in the correct orientation!  
Insert the deck rail into the side of the bed.



## STEP 2

In each of the 4 locations shown, put in a screw  
with a washer.



*Note: There may be extra parts after the installation, they are either replacement parts or for special customizations, please disregard.*